

Automotive I²C to 16-bit GPIO Expander with Interrupt and Reset

Features

- I²C-bus to 16-bit GPIO Expander
- Operating Power Supply Voltage from 1.65 V to 3.6 V
- Low Standby Current Consumption:
 - 1.5 μ A (typical at 3.3 V V_{CC})
- 400-kHz Fast-mode I²C-bus
- 5-V Tolerant I/Os
- Internal Power-on Reset
- Open-drain Active LOW Interrupt Output (\overline{INT})
- Configurable Slave Address with 2 Address Pins
- Latch-Up Performance exceeds 200 mA per JESD 78
- ESD Protection Exceeds JESD 22
 - \pm 4000-V Human Body Model
 - \pm 1500-V Charged Device Model
- AEC Q100: Automotive Grade 1

Applications

- Automotive ASAS, Infotainment,
- Automotive Body Electronics, EV/HEV
- Servers/Storages/Routers (Telecom Switching Equipment)
- Personal Computers

Description

The TPT29539Q is a 16-bit GPIO expander with interrupt and weak pull-up resistors for I²C-bus applications. The power supplier voltage ranges from 1.65 V to 3.6 V, allowing for the TPT29539Q to interconnect with 1.8-V microcontrollers.

The TPT29539Q contains 16-bit Input and Output. The open-drain interrupt (\overline{INT}) output is changeable when any input state changes from its related register state. The device is used to indicate the system master that an input state has changed. (\overline{INT}) can be connected to the interrupt input of a microcontroller. The TPT29539Q can remain a simple slave device. The power-on reset sets the registers to their default values and initializes the device state machine. The TPT29539Q also has a hardware \overline{INT} pin to reset the device to its default state.

All input/output pins do not have internal pull-up resistors, thus the device can save power consumption as communicating with external I/Os. Two hardware pins (A0, A1) select the fixed I²C-bus address and allow up to eight devices to share the same I²C-bus.

The TPT29539Q is available in the TSSOP24 package, and is characterized from -40°C to $+125^{\circ}\text{C}$ to meet automotive application requirements.

Typical Application Circuit

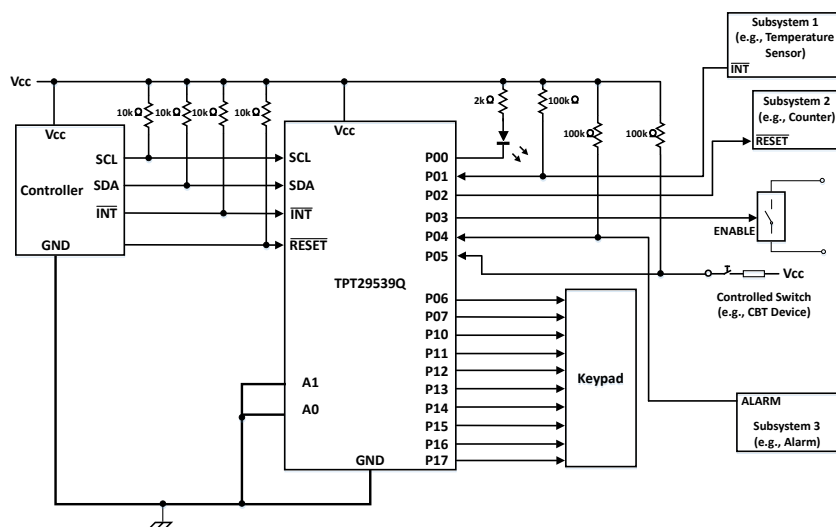


Table of Contents

Features	1
Applications	1
Description	1
Typical Application Circuit	1
Revision History	3
Pin Configuration and Functions	4
Specifications	6
Absolute Maximum Ratings ⁽¹⁾	6
ESD, Electrostatic Discharge Protection.....	6
Recommended Operating Conditions.....	7
Thermal Information.....	7
Electrical Characteristics.....	8
Electrical Characteristics (Continued).....	9
I ² C Interface Timing Requirements ⁽¹⁾	10
Switching Characteristics.....	11
Parameter Measurement Waveforms.....	11
Typical Performance Characteristics.....	12
Detailed Description	13
Overview.....	13
Functional Block Diagram.....	13
Feature Description.....	14
Device Address.....	14
Application and Implementation	17
Application Information	17
Typical Application.....	17
Layout	18
Layout Guideline.....	18
Layout Example.....	18
Tape and Reel Information	20
Package Outline Dimensions	21
TSSOP24-A.....	21
Order Information	22
IMPORTANT NOTICE AND DISCLAIMER	23

Revision History

Date	Revision	Notes
2023-12-18	Rev.A.0	Released version
2024-02-07	Rev.A.1	Updated Typical Application Circuit
2024-02-20	Rev.A.2	Updated the $V_{OH}/I_{OL}/I_{CC}$ test condition
2024-03-31	Rev.A.3	Updated the standby I_{CC} as input low condition
2024-06-26	Rev.A.4	Added the Reset timing and updated the tps spec
2024-08-12	Rev.A.5	Corrected the typo of the K0 value of 1.6 to 1.25 in the Tape and Reel Information section

Pin Configuration and Functions

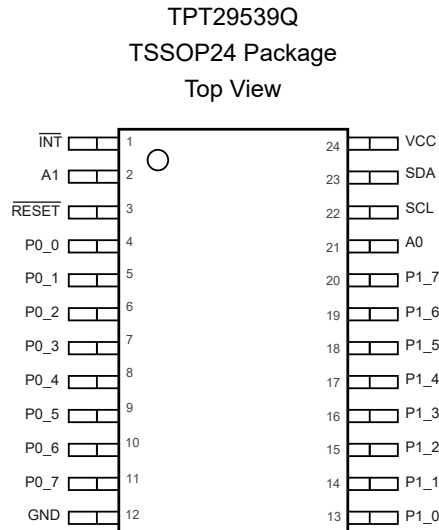


Table 1. Pin Functions: TPT29539Q

Pin No.	Name	I/O	Description
21	A0	Input	Address input 0. Connect directly to VCC or ground
2	A1	Input	Address input 1. Connect directly to VCC or ground
3	$\overline{\text{RESET}}$	Input	RESET input, active LOW
12	GND	GND	Ground
1	$\overline{\text{INT}}$	Output	Interrupt output. Connect to VCC through a pull-up resistor
4	P0_0	I/O	P-port I/O. Push-pull design structure. At power on, P0_0 is configured as an input
5	P0_1	I/O	P-port I/O. Push-pull design structure. At power on, P0_1 is configured as an input
6	P0_2	I/O	P-port I/O. Push-pull design structure. At power on, P0_2 is configured as an input
7	P0_3	I/O	P-port I/O. Push-pull design structure. At power on, P0_3 is configured as an input
8	P0_4	I/O	P-port I/O. Push-pull design structure. At power on, P0_4 is configured as an input
9	P0_5	I/O	P-port I/O. Push-pull design structure. At power on, P0_5 is configured as an input
10	P0_6	I/O	P-port I/O. Push-pull design structure. At power on, P0_6 is configured as an input
11	P0_7	I/O	P-port I/O. Push-pull design structure. At power on, P0_7 is configured as an input
13	P1_0	I/O	P-port I/O. Push-pull design structure. At power on, P1_0 is configured as an input
14	P1_1	I/O	P-port I/O. Push-pull design structure. At power on, P1_1 is configured as an input
15	P1_2	I/O	P-port I/O. Push-pull design structure. At power on, P1_2 is configured as an input
16	P1_3	I/O	P-port I/O. Push-pull design structure. At power on, P1_3 is configured as an input
17	P1_4	I/O	P-port I/O. Push-pull design structure. At power on, P1_4 is configured as an input
18	P1_5	I/O	P-port I/O. Push-pull design structure. At power on, P1_5 is configured as an input
19	P1_6	I/O	P-port I/O. Push-pull design structure. At power on, P1_6 is configured as an input
20	P1_7	I/O	P-port I/O. Push-pull design structure. At power on, P1_7 is configured as an input

Automotive I²C to 16-bit GPIO Expander with Interrupt and Reset

Pin No.	Name	I/O	Description
22	SCL	Input	Serial clock bus. Connect to VCC through a pull-up resistor
23	SDA	I/O	Serial data bus. Connect to VCC through a pull-up resistor
24	VCC	Supply	Supply voltage

Specifications

Absolute Maximum Ratings ⁽¹⁾

Parameter		Min	Max	Unit
V _{CC}	Supply Voltage	-0.5	3.6	V
V _I	Input Voltage	-0.5	3.6	V
V _O	Output Voltage	-0.5	3.6	V
I _{IK}	Input Clamp Current, V _I < 0		-20	mA
I _{OK}	Output Clamp Current, V _O < 0		-20	mA
I _{IOK}	Input-Output Clamp Current, V _O < 0 or V _O > V _{CC}		±20	mA
I _{OL}	Continuous Output Low Current, V _O = 0 to V _{CC}		50	mA
I _{OH}	Continuous Output High Current, V _O = 0 to V _{CC}		-50	mA
I _{CC}	Continuous Current through GND		-250	mA
	Continuous Current through V _{CC}		160	mA
T _J	Maximum Junction Temperature		135	°C
T _{stg}	Storage Temperature	-65	150	°C

(1) Stresses beyond those listed under Absolute Maximum Ratings may cause permanent damage to the device. Exposure to any Absolute Maximum Rating condition for extended periods may affect device reliability and lifetime.

(2) This data was taken with the JEDEC low effective thermal conductivity test board.

(3) This data was taken with the JEDEC standard multilayer test boards.

ESD, Electrostatic Discharge Protection

Parameter		Condition	Minimum Level	Unit
HBM	Human Body Model ESD	ANSI/ESDA/JEDEC JS-001 ⁽¹⁾	±4	kV
CDM	Charged Device Model ESD	ANSI/ESDA/JEDEC JS-002 ⁽²⁾	±1.5	kV

(1) JEDEC document JEP155 states that 500-V HBM allows safe manufacturing with a standard ESD control process.

(2) JEDEC document JEP155 states that 500-V HBM allows safe manufacturing with a standard ESD control process.

Automotive I²C to 16-bit GPIO Expander with Interrupt and Reset
Recommended Operating Conditions

Over-operating free-air temperature range (unless otherwise noted).

Parameter		Min	Max	Unit	
V _{CC}	Supply Voltage	1.65	3.6	V	
V _{IO}	Output IO Voltage	P0_7 ~ P0_0, P1_7 ~ P1_0	0	3.6	V
	Input IO Voltage	P0_7 ~ P0_0, P1_7 ~ P1_0	0	3.6	V
	IO Voltage	SCL, SDA, A1, A0, $\overline{\text{RESET}}$, $\overline{\text{INT}}$	0	3.6	V
V _{IH}	High-Level Input Voltage	SCL, SDA	0.7 × V _{CC}	V _{CC}	V
		$\overline{\text{RESET}}$, A2 ~ A0, P0_7 ~ P0_0, P1_7 ~ P1_0	0.7 × V _{CC}	V _{CC}	V
V _{IL}	Low-Level Input Voltage	SCL, SDA	-0.5	0.3 × V _{CC}	mV
		$\overline{\text{RESET}}$, A2 ~ A0, P0_7 ~ P0_0, P1_7 ~ P1_0	-0.5	0.3 × V _{CC}	mV
I _{OH}	High-Level Output Current	P0_7 ~ P0_0, P1_7 ~ P1_0		-10	mA
I _{OL}	Low-Level Output Current	P0_7 ~ P0_0, P1_7 ~ P1_0		25	mA
		$\overline{\text{INT}}$, SDA		6	mA
T _A	Operating Temperature Range		-40	125	°C

Thermal Information

Package Type	θ_{JA}	θ_{JC}	Unit
TSSOP24	68	21	°C/W

Automotive I²C to 16-bit GPIO Expander with Interrupt and Reset
Electrical Characteristics

 All test conditions: $V_{CC} = 1.65\text{ V} \sim 3.6\text{ V}$, $T_A = -40 \sim +125^\circ\text{C}$, unless otherwise noted.

Parameter		Conditions	Min	Typ	Max	Unit
Input Electrical Specifications						
V_{POR}	Power-on Reset Voltage , V_{CC} rising	$V_I = V_{CC}$ or GND; $I_o = 0\text{ mA}$		1.25	1.5	V
	Power-on Reset Voltage , V_{CC} falling	$V_I = V_{CC}$ or GND; $I_o = 0\text{ mA}$	0.7	1.2		V
I_{OL}	LOW-level Output Current, SDA	$V_{OL} = 0.4\text{ V}$; $V_{CC} = 1.65\text{ V}$ to 3.6 V	3			mA
	LOW-level Output Current, \overline{INT}	$V_{OL} = 0.4\text{ V}$; $V_{CC} = 1.65\text{ V}$ to 3.6 V	3			mA
	LOW-level Output Current, P port	$V_{OL} = 0.5\text{ V}$; $V_{CC} = 1.65\text{ V}$	8			mA
		$V_{OL} = 0.5\text{ V}$; $V_{CC} = 2.3\text{ V}^{(1)}$	8			mA
		$V_{OL} = 0.5\text{ V}$; $V_{CC} = 3.0\text{ V}$	8			mA
	LOW-level Output Current, P port	$V_{OL} = 0.7\text{ V}$; $V_{CC} = 1.65\text{ V}$	10			mA
		$V_{OL} = 0.7\text{ V}$; $V_{CC} = 2.3\text{ V}^{(1)}$	10			mA
$V_{OL} = 0.7\text{ V}$; $V_{CC} = 3.0\text{ V}$		10			mA	
V_{OH}	HIGH-level Output Voltage, P port	$I_{OH} = -8\text{ mA}$; $V_{CC} = 1.65\text{ V}$	1.2			V
		$I_{OH} = -8\text{ mA}$; $V_{CC} = 2.3\text{ V}^{(1)}$	1.8			V
		$I_{OH} = -8\text{ mA}$; $V_{CC} = 3.0\text{ V}$	2.6			V
	HIGH-level Output Voltage, P port	$I_{OH} = -10\text{ mA}$; $V_{CC} = 1.65\text{ V}$	1.0			V
		$I_{OH} = -10\text{ mA}$; $V_{CC} = 2.3\text{ V}^{(1)}$	1.7			V
		$I_{OH} = -10\text{ mA}$; $V_{CC} = 3.0\text{ V}$	2.5			V
I_i	Input Current: A0, A1, \overline{RESET}	$V_{CC} = 1.65\text{ V}$ to 3.6 V , $V_I = V_{CC}$ or GND	-1		1	μA
	Input Current: SCL, SDA	$V_{CC} = 1.65\text{ V}$ to 3.6 V , $V_I = V_{CC}$ or GND	-1		1	μA
I_{IH}	HIGH-level Input Current: P port	$V_I = V_{CC}$; $V_{CC} = 1.65\text{ V}$ to 3.6 V			1	μA
I_{iL}	LOW-level Input Current: P Port	$V_I = \text{GND}$; $V_{CC} = 1.65\text{ V}$ to 3.6 V	-1			μA

(1) Parameters are provided by lab bench tests and design simulation. Not tested in production.

Automotive I²C to 16-bit GPIO Expander with Interrupt and Reset
Electrical Characteristics (Continued)

 All test conditions: $V_{CC} = 1.65\text{ V} \sim 3.6\text{ V}$, $T_A = -40 \sim +125^\circ\text{C}$, unless otherwise noted.

Parameter		Conditions	Min	Typ	Max	Unit	
I_{CC}	Supply Current	Active mode, IO = 0 mA; I/O = inputs; fSCL = 400 kHz	$V_{CC} = 3.6\text{ V}$		9	30	μA
			$V_{CC} = 2.7\text{ V}^{(1)}$		6.2	19	μA
			$V_{CC} = 1.95\text{ V}$		4.2	11	μA
		Standby Mode, input low, IO = 0 mA; I/O = inputs; fSCL = 0 kHz	$V_{CC} = 3.6\text{ V}$		3.0	5.0	μA
			$V_{CC} = 2.7\text{ V}^{(1)}$		2.0	4.5	μA
			$V_{CC} = 1.95\text{ V}$		1.5	3.5	μA
		Standby Mode, input high, IO = 0 mA; I/O = inputs; fSCL = 0 kHz	$V_{CC} = 3.6\text{ V}$		1.5	5.0	μA
			$V_{CC} = 2.7\text{ V}^{(1)}$		1.0	4.5	μA
			$V_{CC} = 1.95\text{ V}$		0.6	3.5	μA
$C_i^{(1)}$	Input Capacitance	$V_I = V_{CC}$ or GND; $V_{CC} = 1.65\text{ V}$ to $3.6\text{ V}^{(1)}$		3		pF	
$C_{io}^{(1)}$	Input/Output Capacitance	$V_{I/O} = V_{CC}$ or GND; $V_D = 1.65\text{ V}$ to $3.6\text{ V}^{(1)}$		3		pF	
		$V_{I/O} = V_{CC}$ or GND; $V_{CC} = 1.65\text{ V}$ to $3.6\text{ V}^{(1)}$		5		pF	

(1) Parameters are provided by lab bench tests and design simulation. Not tested in production.

Automotive I²C to 16-bit GPIO Expander with Interrupt and Reset
I²C Interface Timing Requirements (1)

Over recommended operating free-air temperature range, unless otherwise noted.

Description		Conditions	Standard Mod		Fast Mode		Unit
			Min	Max	Min	Max	
fscf	I ² C clock frequency		0	100	0	400	kHz
tsch	I ² C clock high time		4		0.6		μs
tscl	I ² C clock low time		4.7		1.3		μs
tsp	I ² C spike time			50		50	ns
tsds	I ² C serial-data setup time		250		100		ns
tsdh	I ² C serial-data hold time		0		0		ns
t _{icr} (2)	I ² C input rise time			1000	20	300	ns
t _{icf} (3)	I ² C input fall time			300	20 × (V _{CC} /3.6 V)	300	ns
t _{ocf} (3)	I ² C output fall time	10-pF to 400-pF bus		300	20 × (V _{CC} /3.6 V)	300	ns
tbuf	I ² C bus free time between stop and start		4.7		1.3		μs
tsts	I ² C start or repeated start condition setup		4.7		0.6		μs
tsth	I ² C start or repeated start condition hold		4		0.6		μs
tsp	I ² C stop condition setup		4		0.6		μs
t _{vd} (data)	Valid data time	SCL low to SDA output valid		3.5		0.9	μs
t _{vd} (ack)	Valid data time of ACK condition	ACK signal from SCL low to SDA (out) low		3.5		0.9	μs
C _b	I ² C bus capacitive load			400		400	pF

(1) All timing requirements should refer to I²C standard, and all parameters in table are NOT tested in production.

(2) t_{icr} is decided by input signal rising time.

(3) Data is provided by bench validation, test condition: 150ohm series resistor connect to SDA pin, then 2.2 Kohm pull up to VCC, 150 pF Cload pull down to GND, t_{icr} = 29 ns, t_{ocf} = 25 ns, V_{OL} = 166 mv.

Automotive I²C to 16-bit GPIO Expander with Interrupt and Reset

Switching Characteristics

Over recommended operating free-air temperature range, $C_L \leq 100$ pF, unless otherwise noted.

Description		From (Input)	To (Output)	Standard Mod		Fast Mode		Unit
				Min	Max	Min	Max	
tiv	Interrupt valid time	P port	$\overline{\text{INT}}$		4		4	μs
tir	Interrupt reset delay time	SCL	$\overline{\text{INT}}$		4		4	μs
tpv	Output data valid; For $V_{CC} = 2.3$ V ~ 3.6 V	SCL	P port		400		400	ns
	Output data valid; For $V_{CC} = 1.65$ V ~ 2.3 V				400		400	ns
tps	Input data setup time	P port	SCL	150		150		ns
tph	Input data hold time	P port	SCL	1		1		μs

Parameter	Condition	min	typ	max	Unit
RESET Timing Requirements					
tW	Reset pulses duration		60		ns
tREC	Reset recovery time		0	15	ns
tRESET	Time to reset	For $V_{CC} = 2.3$ V~3.6 V	400		
	Time to reset	For $V_{CC} = 1.65$ V – 2.3 V	550		ns

Parameter Measurement Waveforms

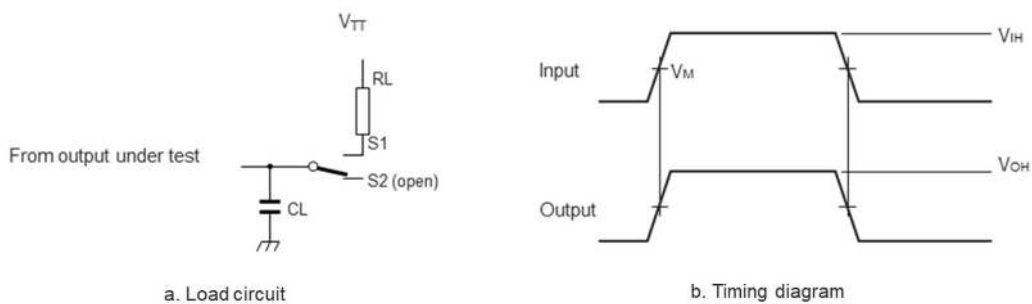


Figure 1. Load Circuit for Outputs

Typical Performance Characteristics

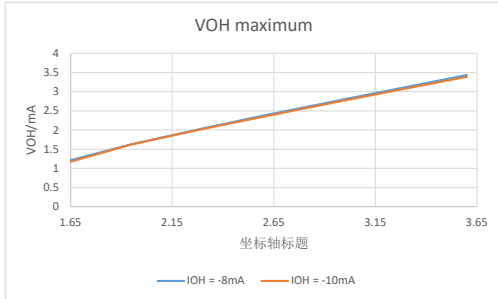


Figure 2. Voh Maximum Measurement

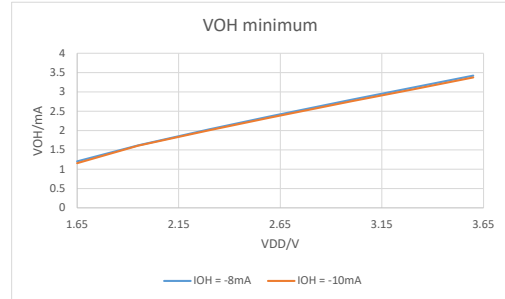


Figure 3. Voh Minimum Measurement

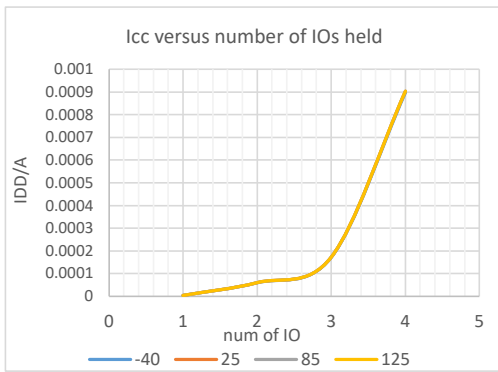


Figure 4. Icc versus Number of IOS Measurement

Automotive I²C to 16-bit GPIO Expander with Interrupt and Reset

Detailed Description

Overview

The TPT29539Q is a 16-bit GPIO expander with interrupt and weak pull-up resistors for I²C-bus applications. The power supplier voltage ranges from 1.65 V to 3.6 V, allowing for the TPT29539Q to interconnect with 1.8-V microcontrollers.

The TPT29539Q contains 16-bit Input and Output. The open-drain interrupt ($\overline{\text{INT}}$) output is changeable when any input state changes from its related register state. The device is used to indicate the system master that an input state has changed. ($\overline{\text{INT}}$) can be connected to the interrupt input of a microcontroller. The TPT29539Q can remain a simple slave device. The power-on reset sets the registers to their default values and initializes the device state machine. The TPT29539Q also has a hardware $\overline{\text{INT}}$ pin to reset the device to its default state.

All input/output pins do not have internal pull-up resistors, thus the device can save power consumption as communicating with external I/Os. Two hardware pins (A0, A1) select the fixed I²C-bus address and allow up to eight devices to share the same I²C-bus.

The TPT29539Q is available in the TSSOP24 package, and is characterized from -40°C to +125°C to meet automotive application requirements.

Functional Block Diagram

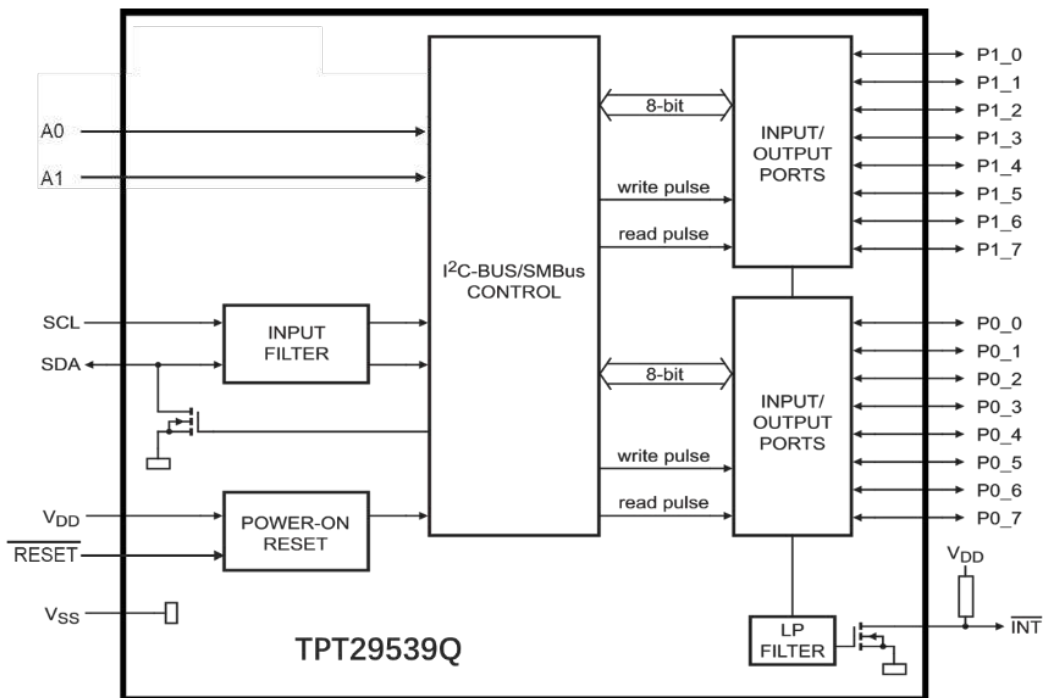


Figure 5. Functional Block Diagram

Feature Description

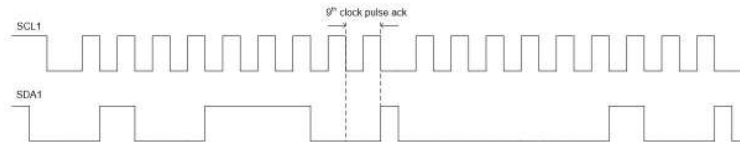


Figure 6. I²C BUS (1.65 V ~ 3.6 V) Waveform

Device Address

Following a START condition, the bus master must output the address of the slave it is accessing. All input/output pins have internal weak pull-up resistors to remove external components. Two hardware pins (A0, A1) select the fixed I²C-bus address and allow up to eight devices to share the same I²C-bus. To conserve power, address pins (A0, A1) must be pulled HIGH or LOW. The address of the TPT29539Q is shown below.

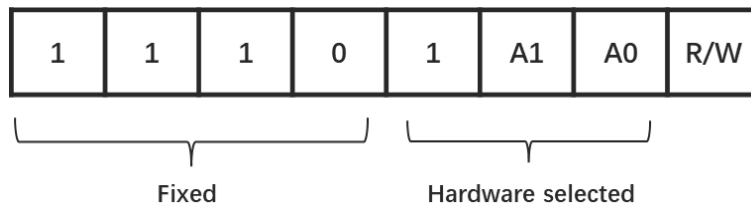


Figure 7. Slave Device Address

Control Register

Command Byte

The command byte is the first byte to follow the address byte during a write transmission. It is used as a pointer to determine which of the following registers will be written or read.

Table 2. Command Byte Description

Command	Register
0	Input port 0
1	Input port 1
2	Output port 0
3	Output port 1
4	Polarity Inversion port 0
5	Polarity Inversion port 1
6	Configuration port 0
7	Configuration port 1

Register 0 and 1: Input port registers

This register is an input-only port, which means the incoming logic levels of the pins, regardless of whether the pin is defined as an input or an output by Register 3 (output port 1), and writes to this register have no effect.

The default value 'X' is determined by the externally logic level.

Automotive I²C to 16-bit GPIO Expander with Interrupt and Reset
Table 3. Input Port 0 Register

Bit	7	6	5	4	3	2	1	0
Symbol	I0.7	I0.6	I0.5	I0.4	I0.3	I0.2	I0.1	I0.0
Default	X	X	X	X	X	X	X	X

Table 4. Input Port 1 Register

Bit	7	6	5	4	3	2	1	0
Symbol	I1.7	I1.6	I1.5	I1.4	I1.3	I1.2	I1.1	I1.0
Default	X	X	X	X	X	X	X	X

Register 2 and 3: Output port registers

This register is an output-only port, which means the outcoming logic levels of the pins are defined as outputs by Register 6 (Configuration port 0) and 7 (Configuration port 1). Bit values in this register have no effect on pins defined as inputs. In fact, the value reading from this register is in the flip-flop controlling the output selection, not the actual pin value.

Table 5. Output Port 0 Register

Bit	7	6	5	4	3	2	1	0
Symbol	O0.7	O0.6	O0.5	O0.4	O0.3	O0.2	O0.1	O0.0
Default	1	1	1	1	1	1	1	1

Table 6. Output Port 1 Register

Bit	7	6	5	4	3	2	1	0
Symbol	O1.7	O1.6	O1.5	O1.4	O1.3	O1.2	O1.1	O1.0
Default	1	1	1	1	1	1	1	1

Register 4 and 5: Polarity Inversion registers

This register allows the user to invert the polarity of the input port register data. If a bit in this register is set (written with '1'), the input port data polarity is inverted. If a bit in this register is cleared (written with '0'), the input port data polarity is retained.

Table 7. Polarity Inversion Port 0 Register

Bit	7	6	5	4	3	2	1	0
Symbol	N0.7	N0.6	N0.5	N0.4	N0.3	N0.2	N0.1	N0.0
Default	0	0	0	0	0	0	0	0

Table 8. Polarity Inversion Port 1 Register

Bit	7	6	5	4	3	2	1	0
Symbol	N1.7	N1.6	N1.5	N1.4	N1.3	N1.2	N1.1	N1.0
Default	0	0	0	0	0	0	0	0

Automotive I²C to 16-bit GPIO Expander with Interrupt and Reset**Register 6 and 7: Configuration registers**

This register configures the directions of the I/O pins. If a bit in this register is set (written with '1'), the corresponding port pin is enabled as an input with a high-impedance output driver. If a bit in this register is cleared (written with '0'), the corresponding port pin is enabled as an output. Note that there is a high-value resistor tied to V_{DD} at each pin. At reset, the device's ports are inputs with a pull-up to V_{DD}.

Table 9. Configuration port 0 Register

Bit	7	6	5	4	3	2	1	0
Symbol	C0.7	C0.6	C0.5	C0.4	C0.3	C0.2	C0.1	C0.0
Default	1	1	1	1	1	1	1	1

Table 10. Configuration port 1 Register

Bit	7	6	5	4	3	2	1	0
Symbol	C1.7	C1.6	C1.5	C1.4	C1.3	C1.2	C1.1	C1.0
Default	1	1	1	1	1	1	1	1

Application and Implementation

Note

Information in the following application sections is not part of the 3PEAK's component specification and 3PEAK does not warrant its accuracy or completeness. 3PEAK's customers are responsible for determining suitability of components for their purposes. Customers should validate and test their design implementation to confirm system functionality.

Application Information

The TPT29539Q builds in 16-bit input and output, and interrupt $\overline{\text{INT}}$ can be connected to the interrupt input of a microcontroller, then the interrupt $\overline{\text{INT}}$ output will response to any input state change.

IO Configuration Requirements

To make sure the TPT29539Q can support the different application, the device is requested to set all GPIOs a default value after or before powering up the device. Or the backup method, after powering up the TPT29539Q, registers are reset to a default value by digital circuit while GPIOs status are not yet stable, because there is no pull-up/pull-down resistors inside. The digital circuit is monitoring and comparing the GPIOs status to the default value of the registers in real time and when they are not matched, during the unstable period, the $\overline{\text{INT}}$ is locked. This has been confirmed in lab testing by adding time delay in seconds after powering up the TPT29539Q (for GPIOs status to reach a stable status). After seconds, the $\overline{\text{INT}}$ function is ready to work, and the performance is exactly as designed. The delay time will depend on the different capacitance on board.

Typical Application

One application of the TPT29539Q device is used as below.

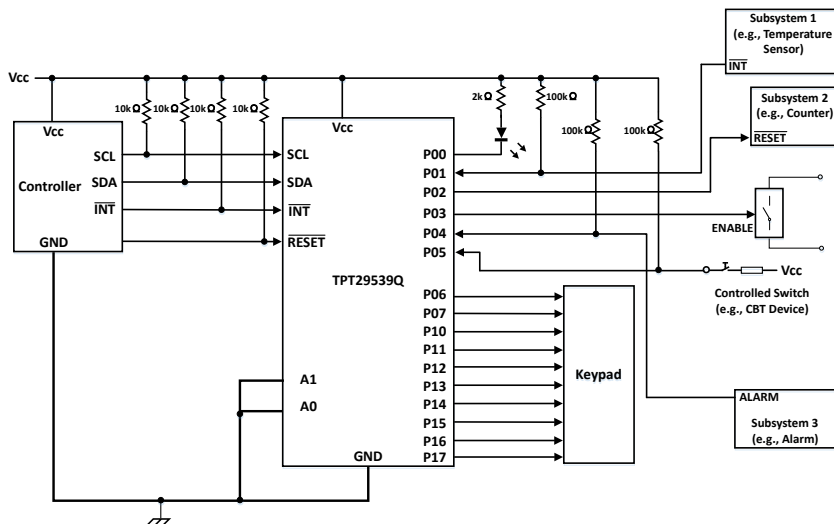


Figure 8. Typical Application Reference Circuit

Layout

Layout Guideline

Reflections and matching are closely related to loop antenna theory, but different enough to warrant their own discussion. When a PCB trace turns a corner at a 90° angle, a reflection can occur. This is primarily due to the change in the width of the trace. At the apex of the turn, the trace width is increased to 1.414 times its width. This change in width upsets the transmission line characteristics, especially the distributed capacitance and self-inductance of the trace, thus resulting in the reflection. Not all PCB traces can be straight, so they will have to turn corners. Figure 9 shows progressively better techniques of rounding corners. Only the last example (BEST) maintains constant trace width and minimizes reflections.

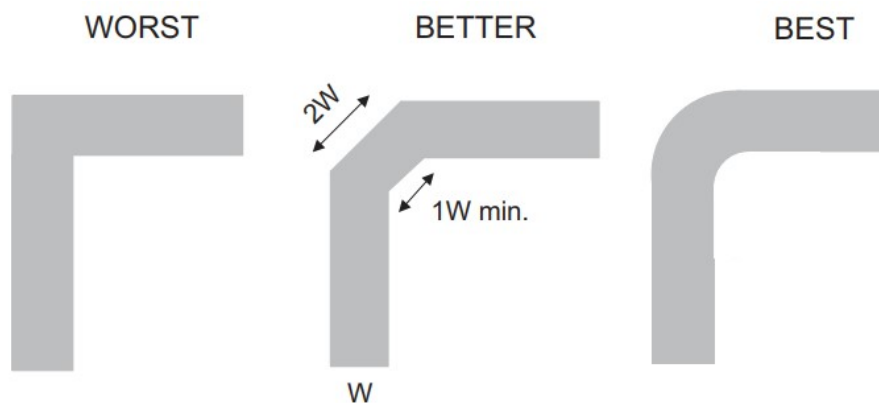


Figure 9. Trace Example

Route high-speed signals using a minimum of vias and corners which reduces signal reflections and impedance changes. When a via must be used, increase the clearance size around it to minimize its capacitance. Each via introduces discontinuities in the signal's transmission line and increases the chance of picking up interference from the other layers of the board. Be careful when designing test points, through-hole pins are not recommended at high frequencies.

Layout Example

Figure 10 illustrates an example of a PCB layout with the TPT29539Q. Some key considerations are as follows:

- Decouple the VDD pin with a 0.1- μ F capacitor, placed it as close to the pin as possible. Make sure that the capacitor voltage rating is sufficient for the VDD supply.
- Keep the input lines as short as possible.
- Use a solid ground plane to help reduce electromagnetic interference (EMI) noise pickup.
- Do not run sensitive analog traces in parallel with digital traces. Avoid crossing digital and analog traces if possible, and only make perpendicular crossings when necessary.

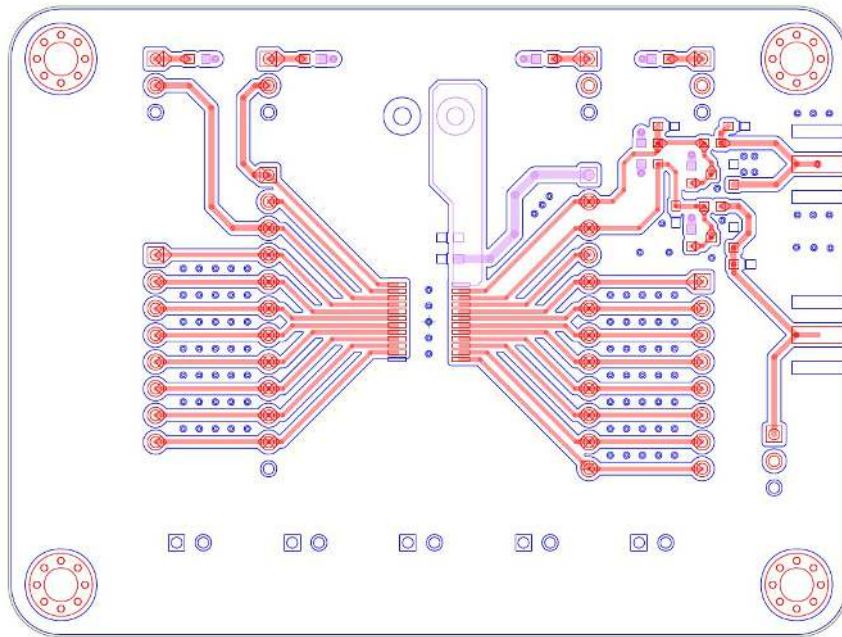
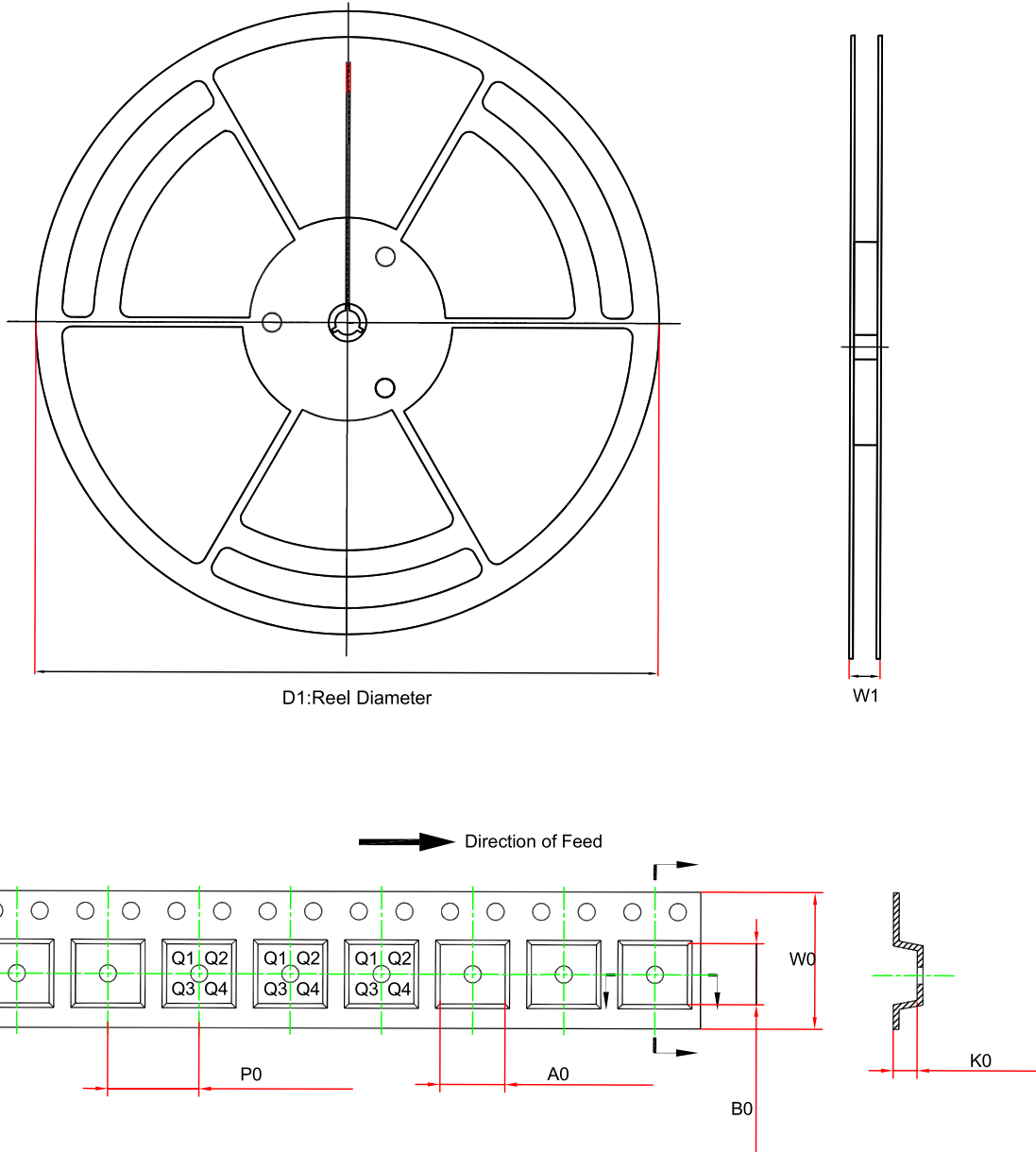
Automotive I²C to 16-bit GPIO Expander with Interrupt and Reset

Figure 10. TPT29539Q Layout Example

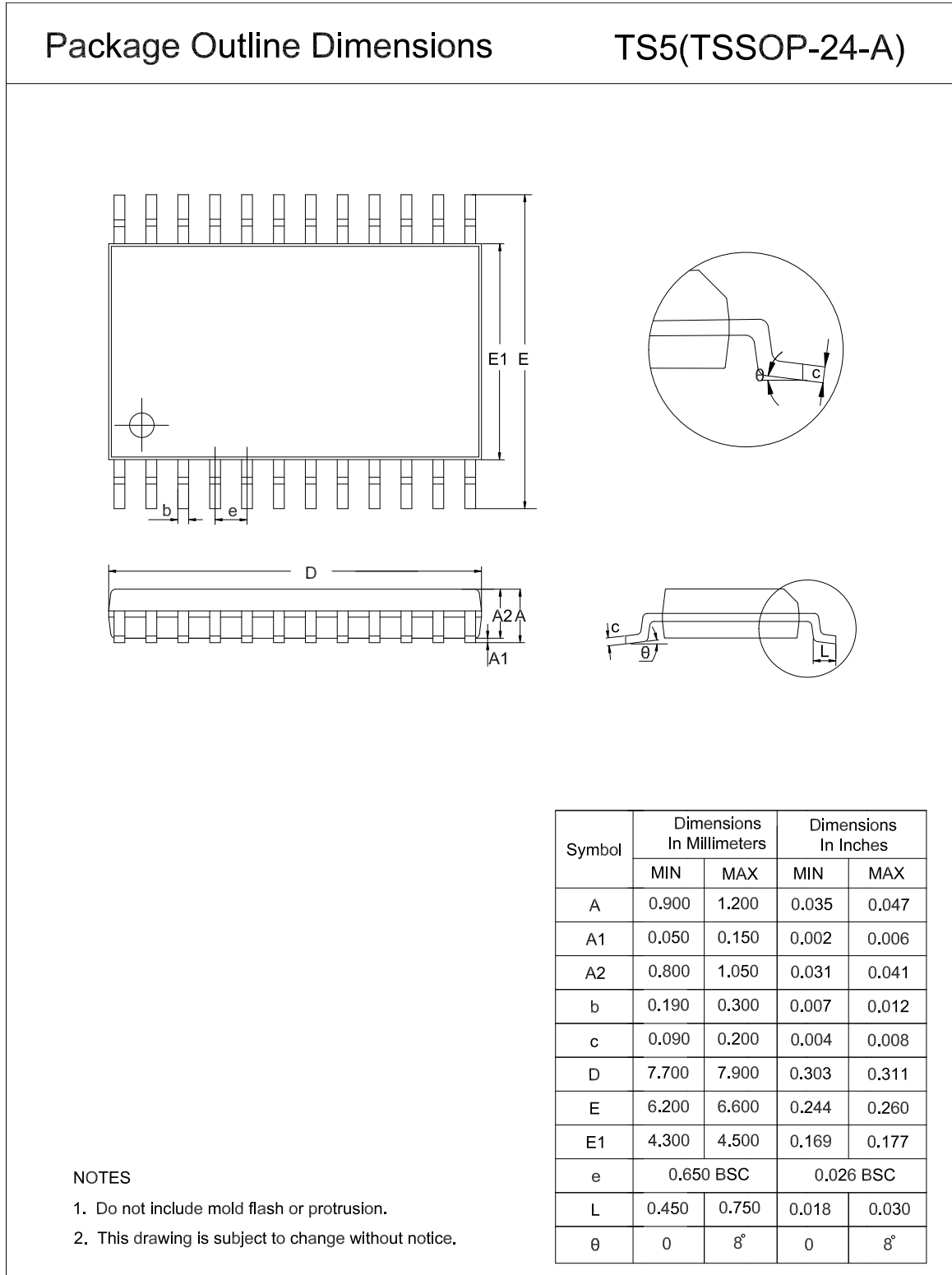
Tape and Reel Information



Order Number	Package	D1 (mm)	W1 (mm)	A0 (mm)	B0 (mm)	K0 (mm)	P0 (mm)	W0 (mm)	Pin1 Quadrant
TPT29539Q-TS5R-S	TSSOP24	330	21.6	6.8	8.3	1.25	8	16	Q1

Package Outline Dimensions

TSSOP24-A



Order Information

Order Number	Operating Temperature Range	Package	Marking Information	MSL	Transport Media, Quantity	Eco Plan
TPT29539Q-TS5R-S	-40 to 125°C	TSSOP24	9539Q	MSL3	4,000	Green

Green: 3PEAK defines "Green" to mean RoHS compatible and free of halogen substances.

IMPORTANT NOTICE AND DISCLAIMER

Copyright© 3PEAK 2012-2024. All rights reserved.

Trademarks. Any of the 思瑞浦 or 3PEAK trade names, trademarks, graphic marks, and domain names contained in this document /material are the property of 3PEAK. You may NOT reproduce, modify, publish, transmit or distribute any Trademark without the prior written consent of 3PEAK.

Performance Information. Performance tests or performance range contained in this document/material are either results of design simulation or actual tests conducted under designated testing environment. Any variation in testing environment or simulation environment, including but not limited to testing method, testing process or testing temperature, may affect actual performance of the product.

Disclaimer. 3PEAK provides technical and reliability data (including data sheets), design resources (including reference designs), application or other design recommendations, networking tools, security information and other resources "As Is". 3PEAK makes no warranty as to the absence of defects, and makes no warranties of any kind, express or implied, including without limitation, implied warranties as to merchantability, fitness for a particular purpose or non-infringement of any third-party's intellectual property rights. Unless otherwise specified in writing, products supplied by 3PEAK are not designed to be used in any life-threatening scenarios, including critical medical applications, automotive safety-critical systems, aviation, aerospace, or any situations where failure could result in bodily harm, loss of life, or significant property damage. 3PEAK disclaims all liability for any such unauthorized use.

This page intentionally left blank