

KT5150



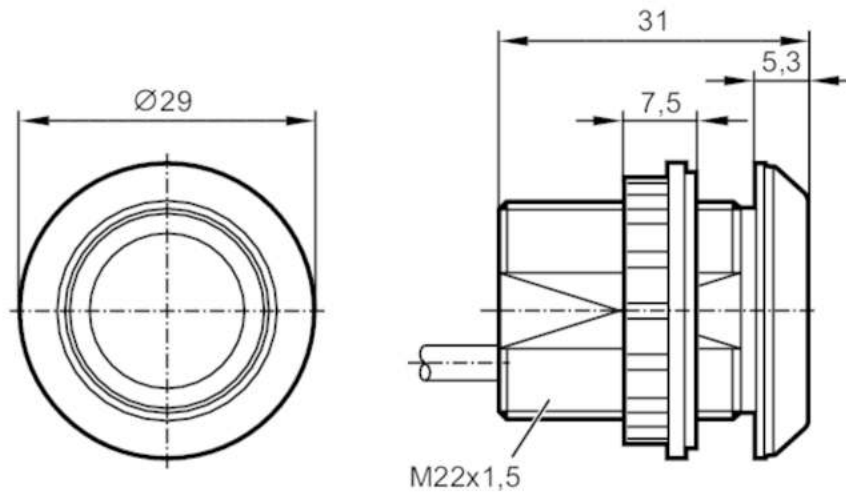
Illuminated capacitive touch sensor

KTMBF-KRGBPKG/2M

Article no longer available - archive entry

Alternative articles: KTE101 or KTE102

When selecting an alternative article and accessories please note that technical data may differ!



Product characteristics

Electrical design		PNP
Output function		normally open
Housing		threaded type
Dimensions	[mm]	M22 x 1.5 / L = 31

Application

Operating principle		bistable
---------------------	--	----------

Electrical data

Operating voltage	[V]	12...30 DC
Current consumption	[mA]	30
Protection class		III
Reverse polarity protection		yes
Max. power-on delay time	[ms]	500

Outputs

Electrical design		PNP
Output function		normally open
Permanent current rating of switching output DC	[mA]	200
Short-circuit protection		yes
Overload protection		yes

Response times

Response time	[ms]	35
---------------	------	----

KT5150



Illuminated capacitive touch sensor

KTMBF-KRGBPKG/2M

Operating conditions

Ambient temperature	[°C]	-40...85
Protection		IP 65; IP 67; IP 69K; (on the front)

Tests / approvals

EMC	IEC 61000-4	
-----	-------------	--

Mechanical data

Weight	[g]	99
Housing		threaded type
Dimensions	[mm]	M22 x 1.5 / L = 31
Thread designation		M22 x 1.5
Materials		PA 6.6-GF30 black; active face: PA Grilamid TR 90UV

Displays / operating elements

Display	switching status	1 x LED, green
	function	1 x LED, red can be triggered

Accessories

Items supplied	lock nuts: 1 x M22
	Gasket: 1
Accessories (optional)	symbol disc

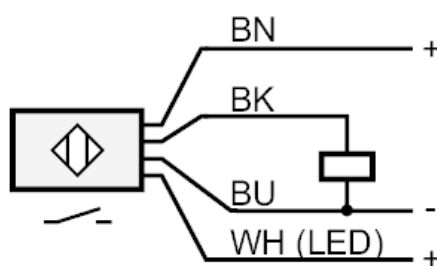
Remarks

Pack quantity	1 pcs.
---------------	--------

Electrical connection

Cable: 2 m, PUR

Connection



	Core colours :
BK =	black
BN =	brown
BU =	blue
WH =	white