

Silicon PIN Photodiode



LINKS TO ADDITIONAL RESOURCES



DESCRIPTION

VEMD4110X02 is a high speed and high sensitive PIN photodiode. It is a miniature surface mount device (SMD) with a 0.42 mm² sensitive area and a daylight blocking filter matched with IR emitters operating at wavelength of 830 nm to 950 nm.

FEATURES

- Package type: surface-mount
- Package form: 0805
- Dimensions (L x W x H in mm): 2 x 1.25 x 0.7
- Radiant sensitive area (in mm²): 0.42
- Operating temperature range: T_{OP} = -40 °C to +125 °C
- Daylight blocking filter matched with 830 nm to 950 nm emitters
- Angle of half sensitivity: φ = ± 55°
- Floor life: 4 weeks, MSL2a, according to J-STD-020
- Lead (Pb)-free reflow soldering
- AEC-Q102 qualified
- Material categorization: for definitions of compliance please see www.vishay.com/doc?99912

 AUTOMOTIVE
GRADE

RoHS
COMPLIANT
HALOGEN
FREE
GREEN
(5-2008)

APPLICATIONS

- High speed photo detector
- Photo interrupters
- Automotive sensors
- [Hygienic applications](#)

PRODUCT SUMMARY

COMPONENT	I _{ra} (μA) at E _e = 1 mW/cm ² , λ = 950 nm, V _R = 5 V	φ (°)	λ _{0.5} (nm)
VEMD4110X02	2.4	± 55	740 to 1040

Note

- Test conditions see table “Basic Characteristics”

ORDERING INFORMATION

ORDERING CODE	PACKAGING	REMARKS	PACKAGE FORM
VEMD4110X02	Tape and reel	MOQ: 3000 pcs, 3000 pcs/reel	0805

Note

- MOQ: minimum order quantity

ABSOLUTE MAXIMUM RATINGS (T_{amb} = 25 °C, unless otherwise specified)

PARAMETER	TEST CONDITION	SYMBOL	VALUE	UNIT
Reverse voltage		V _R	20	V
Ambient temperature range		T _{amb}	-40 to +125	°C
Storage temperature range		T _{stg}	-40 to +125	°C
Soldering temperature	According to reflow solder profile Fig. 8	T _{sd}	260	°C

BASIC CHARACTERISTICS ($T_{amb} = 25\text{ }^{\circ}\text{C}$, unless otherwise specified)						
PARAMETER	TEST CONDITION	SYMBOL	MIN.	TYP.	MAX.	UNIT
Forward voltage	$I_F = 50\text{ mA}$	V_F	-	1.1	1.3	V
Reverse dark current	$V_R = 5\text{ V}, E = 0$	I_{r0}	-	1	3	nA
Diode capacitance	$V_R = 0\text{ V}, f = 1\text{ MHz}, E = 0$	C_D	-	7	-	pF
	$V_R = 5\text{ V}, f = 1\text{ MHz}, E = 0$	C_D	-	2.5	-	pF
Short circuit current	$E_e = 1\text{ mW/cm}^2, \lambda = 950\text{ nm}$	I_k	-	2.2	-	μA
Open circuit voltage	$E_e = 1\text{ mW/cm}^2, \lambda = 950\text{ nm}$	V_O	-	318	-	mV
Temperature coefficient of I_k	$E_e = 1\text{ mW/cm}^2, \lambda = 950\text{ nm}$	TK_{I_k}	-	0.1	-	%/K
Reverse light current	$E_e = 1\text{ mW/cm}^2, \lambda = 950\text{ nm}, V_R = 5\text{ V}$	I_{ra}	1.9	2.4	3.1	μA
Angle of half sensitivity		φ	-	± 55	-	$^{\circ}$
Wavelength of peak sensitivity		λ_p	-	910	-	nm
Range of spectral bandwidth		$\lambda_{0.5}$	-	740 to 1040	-	nm
Rise time	$V_R = 5\text{ V}, R_L = 1\text{ k}\Omega, \lambda = 820\text{ nm}$	t_r	-	100	-	ns
Fall time	$V_R = 5\text{ V}, R_L = 1\text{ k}\Omega, \lambda = 820\text{ nm}$	t_f	-	100	-	ns

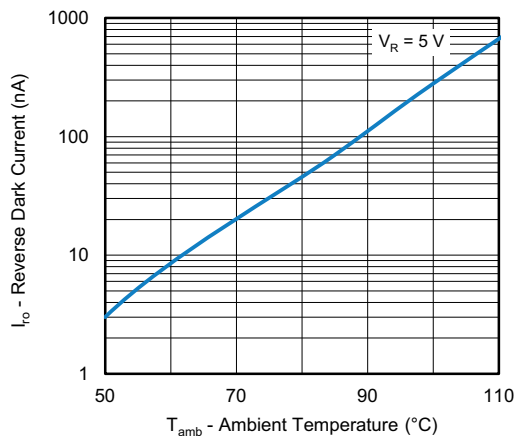
BASIC CHARACTERISTICS ($T_{amb} = 25\text{ }^{\circ}\text{C}$, unless otherwise specified)


Fig. 1 - Reverse Dark Current vs. Ambient Temperature

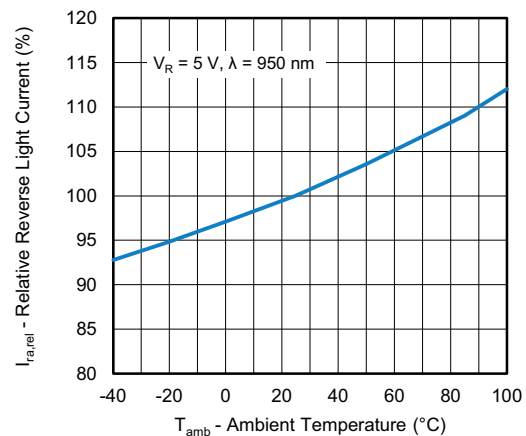


Fig. 2 - Relative Reverse Light Current vs. Ambient Temperature

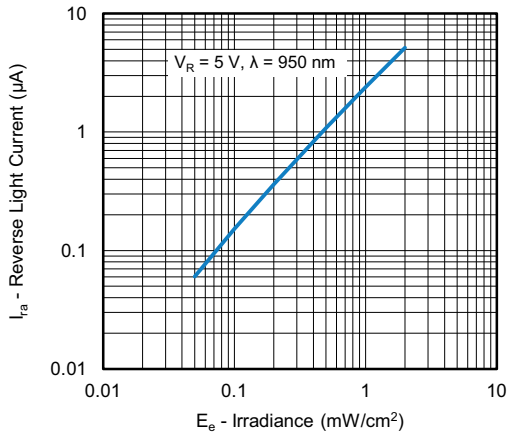


Fig. 3 - Reverse Light Current vs. Irradiance

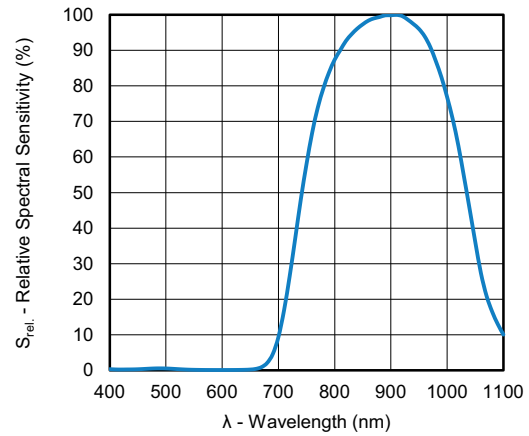


Fig. 5 - Relative Spectral Sensitivity vs. Wavelength

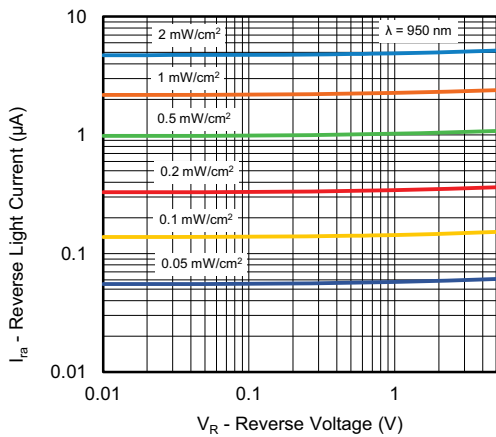


Fig. 4 - Reverse Light Current vs. Reverse Voltage

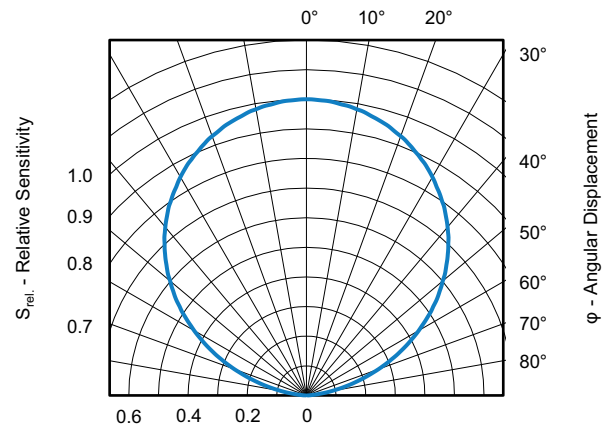
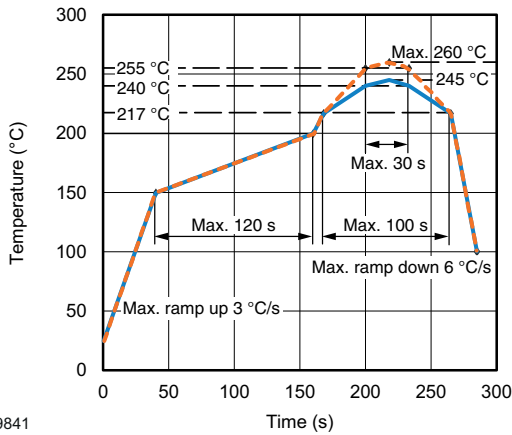


Fig. 6 - Relative Sensitivity vs. Angular Displacement



REFLOW SOLDER PROFILE



19841

Fig. 7 - Lead (Pb)-free Reflow Solder Profile According to J-STD-020

DRYPACK

Devices are packed in moisture barrier bags (MBB) to prevent the products from moisture absorption during transportation and storage. Each bag contains a desiccant.

FLOOR LIFE

Floor life (time between soldering and removing from MBB) must not exceed the time indicated on MBB label:

Floor life: 4 weeks

Conditions: $T_{amb} < 30\text{ °C}$, $RH < 60\%$

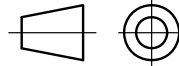
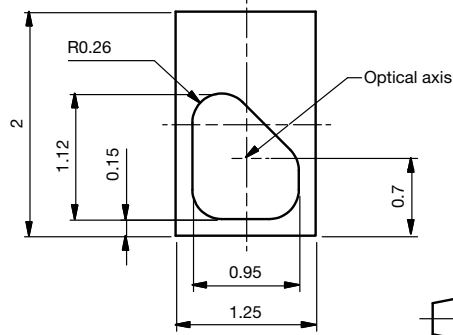
Moisture sensitivity level MSL2a, according to J-STD-020.

DRYING

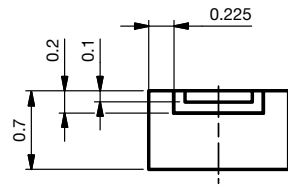
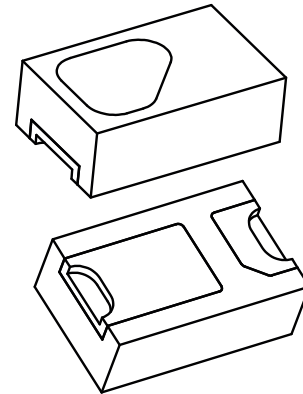
In case of moisture absorption devices should be baked before soldering. Conditions see J-STD-033D or label. Devices taped on reel dry using recommended conditions 192 h at 40 °C (+ 5 °C), $RH < 5\%$.



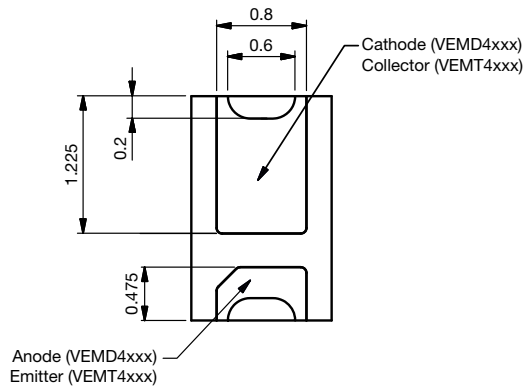
PACKAGE DIMENSIONS in millimeters



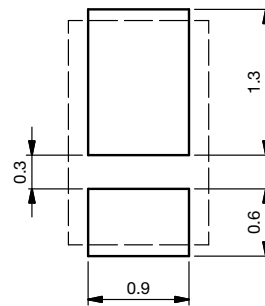
Technical drawings according to DIN specification



Not indicated tolerances ± 0.1



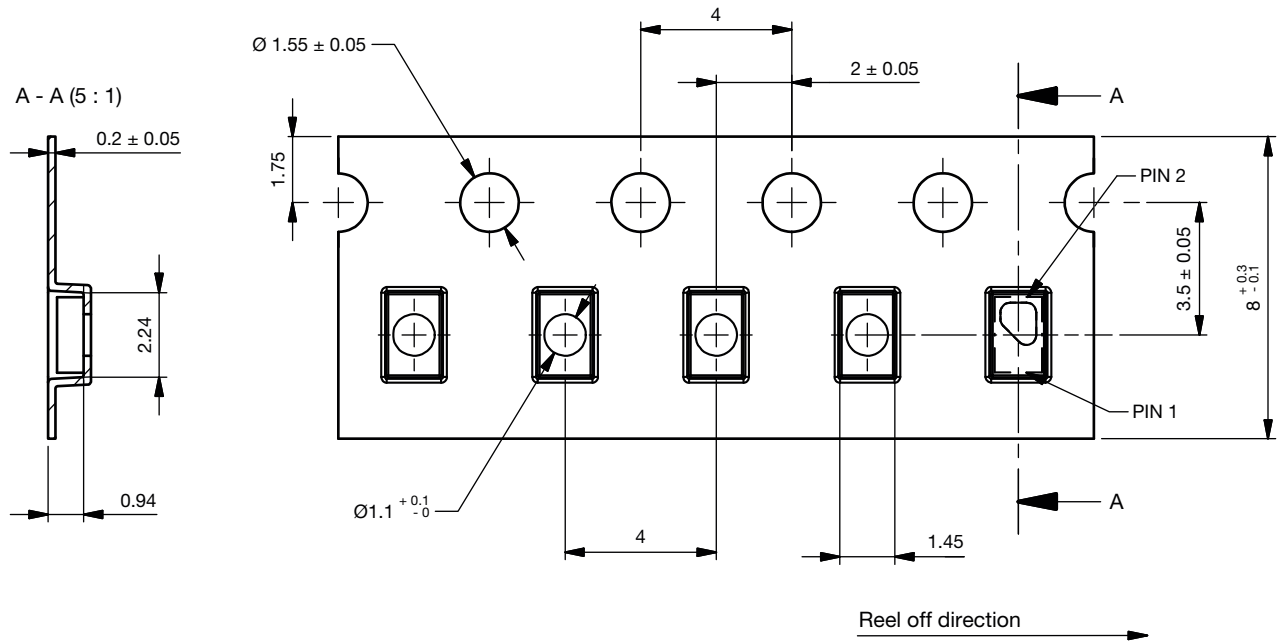
Recommended footprint



Drawing-No.: 6.550-5363.01-4
Issue: 2; 01.07.2020



BLISTER TAPE DIMENSIONS in millimeters

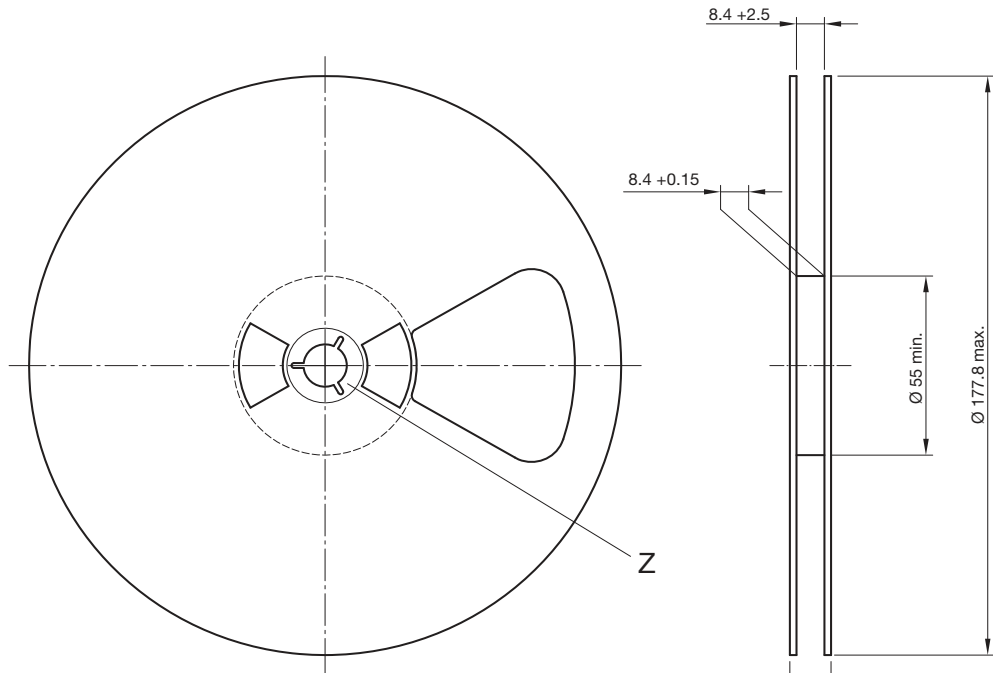


TYPE	PIN 1	PIN 2
VEMD4xxx	Anode	Cathode

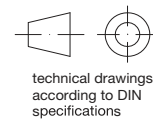
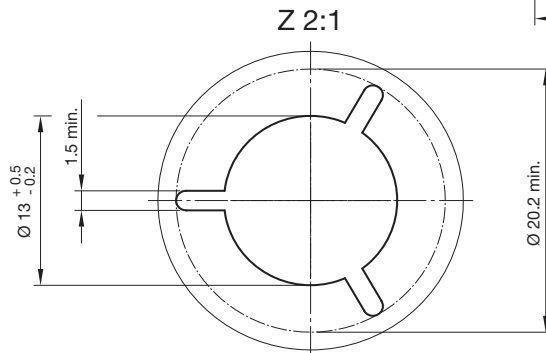
Drawing-No.: 9.700-5411.0-4
Issue: 1_A; 11.10.2022



REEL DIMENSIONS in millimeters



Form of the leave open of the wheel is supplier specific.



Drawing-No.: 9.800-5096.01-4
 Issue: 2; 26.04.10
 20875



Disclaimer

ALL PRODUCT, PRODUCT SPECIFICATIONS AND DATA ARE SUBJECT TO CHANGE WITHOUT NOTICE TO IMPROVE RELIABILITY, FUNCTION OR DESIGN OR OTHERWISE.

Vishay Intertechnology, Inc., its affiliates, agents, and employees, and all persons acting on its or their behalf (collectively, "Vishay"), disclaim any and all liability for any errors, inaccuracies or incompleteness contained in any datasheet or in any other disclosure relating to any product.

Vishay makes no warranty, representation or guarantee regarding the suitability of the products for any particular purpose or the continuing production of any product. To the maximum extent permitted by applicable law, Vishay disclaims (i) any and all liability arising out of the application or use of any product, (ii) any and all liability, including without limitation special, consequential or incidental damages, and (iii) any and all implied warranties, including warranties of fitness for particular purpose, non-infringement and merchantability.

Statements regarding the suitability of products for certain types of applications are based on Vishay's knowledge of typical requirements that are often placed on Vishay products in generic applications. Such statements are not binding statements about the suitability of products for a particular application. It is the customer's responsibility to validate that a particular product with the properties described in the product specification is suitable for use in a particular application. Parameters provided in datasheets and / or specifications may vary in different applications and performance may vary over time. All operating parameters, including typical parameters, must be validated for each customer application by the customer's technical experts. Product specifications do not expand or otherwise modify Vishay's terms and conditions of purchase, including but not limited to the warranty expressed therein.

Hyperlinks included in this datasheet may direct users to third-party websites. These links are provided as a convenience and for informational purposes only. Inclusion of these hyperlinks does not constitute an endorsement or an approval by Vishay of any of the products, services or opinions of the corporation, organization or individual associated with the third-party website. Vishay disclaims any and all liability and bears no responsibility for the accuracy, legality or content of the third-party website or for that of subsequent links.

Vishay products are not designed for use in life-saving or life-sustaining applications or any application in which the failure of the Vishay product could result in personal injury or death unless specifically qualified in writing by Vishay. Customers using or selling Vishay products not expressly indicated for use in such applications do so at their own risk. Please contact authorized Vishay personnel to obtain written terms and conditions regarding products designed for such applications.

No license, express or implied, by estoppel or otherwise, to any intellectual property rights is granted by this document or by any conduct of Vishay. Product names and markings noted herein may be trademarks of their respective owners.