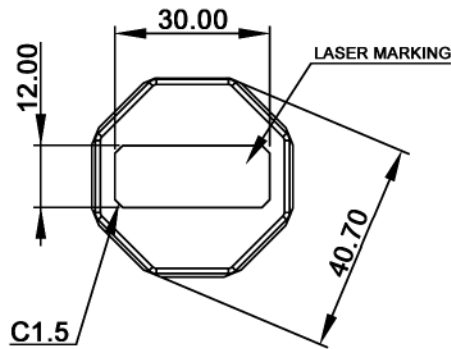
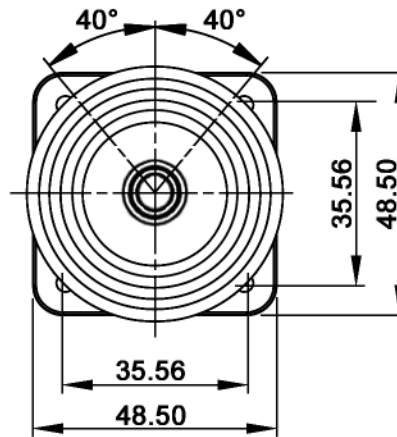
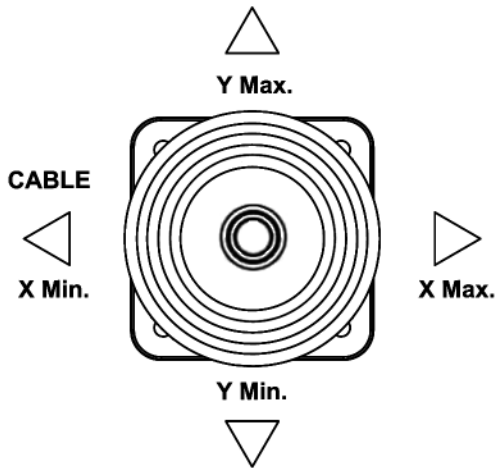
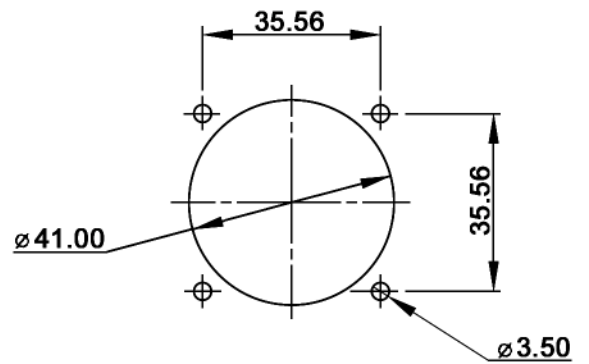


CONFIGURATIONS



PANEL MOUNTING



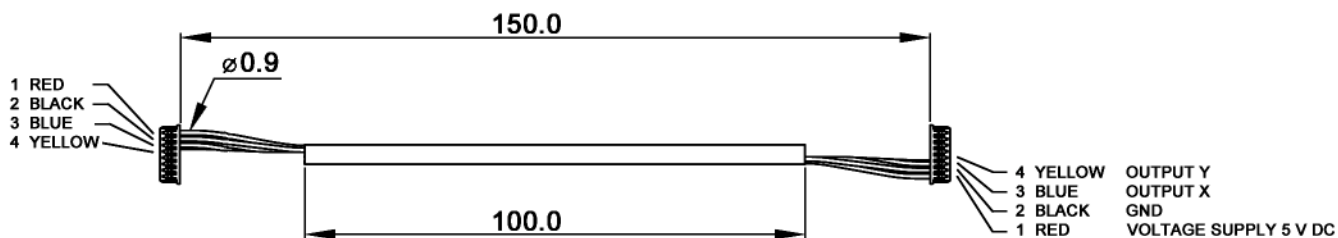
Compliance: RohS III (2015/863/EU)

|   |       |      |
|---|-------|------|
| Tolerances: 0.00: ±0.25 mm<br>0.0: ±0.40 mm | Date  | Name |
|   | 01/22 | dr   |
|   |       |      |
|   |       |      |
|   |       |      |

JSH 02A

|               |       |      |                       |
|---------------|-------|------|-----------------------|
| Renamed       | 02/25 | dr   | <b>knitter-switch</b> |
| Revised       | 10/22 | dr   |                       |
| Modifications | Date  | Name |                       |

30 47 48



CONNECTOR EQUIVALENT MOLEX 51021-0800

**Specifications:**

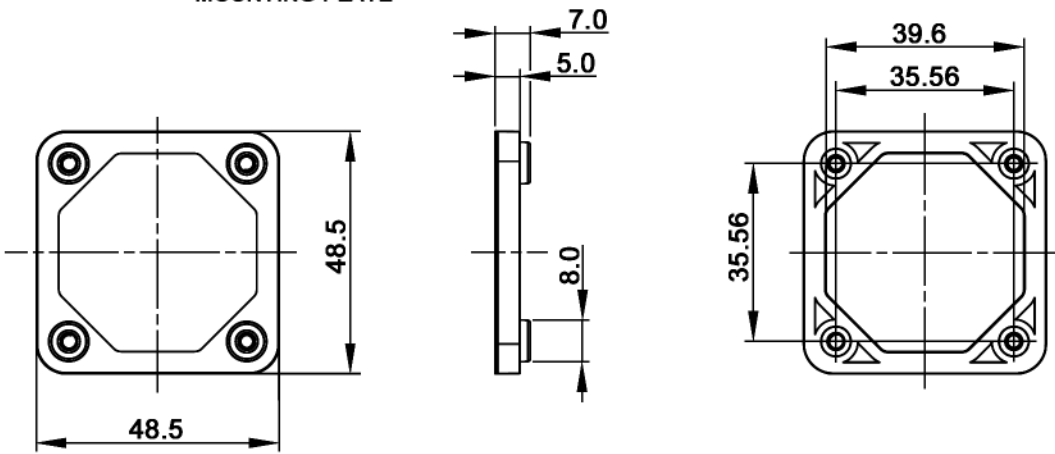
Technology: Hall-effect  
 Power supply: 5 V DC +/-10%  
 Over-voltage: +20 V DC  
 Reverse voltage protection: -10 V DC  
 Output: 0....5 V DC  
 Output current (X/Y): 8 mA max.  
 Output load: 10 kOhm  
 Central output voltage: 2.5 V DC +/-0.1 V  
 Non-linearity: < 3%  
 Operating temperature: -20°C to +65°C  
 Mech. & electrical life: 5 000 000 cycles (X, Y)  
 Mechanical specifications: Centering: Spring return  
 Operating force: 2.3....6 N  
 Max. load: 200 N

Compliance: RohS III (2015/863/EU)

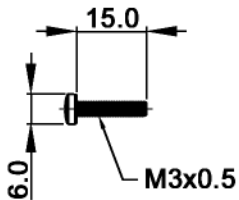
|   |       |      |                         |
|---|-------|------|-------------------------|
| Tolerances: 0.00: ±0.25 mm<br>0.0: ±0.40 mm | Date  | Name | <h1>JSH 02A</h1>        |
|   | 01/22 | dr   |                         |
|   |       |      |                         |
|   |       |      |                         |
| Renamed                                     | 02/25 | dr   | <h1>30 47 48</h1>       |
| Revised                                     | 10/22 | dr   |                         |
| Modifications                               | Date  | Name | <h1>knitter-switch</h1> |
|   |       |      | Page<br>2/3             |

**HARDWARE:**

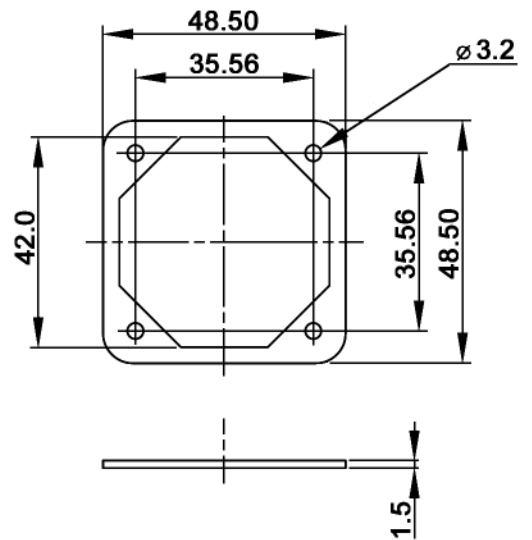
**MOUNTING PLATE**



**CROSS-HEADED SCREW**



**GASKET**



Compliance: RohS III (2015/863/EU)

|   |       |      |                       |
|---|-------|------|-----------------------|
| Tolerances: 0.00: $\pm 0.25$ mm<br>0.0: $\pm 0.40$ mm | Date  | Name | <b>JSH 02A</b>        |
|   | 01/22 | dr   |                       |
|   |       |      |                       |
|   |       |      |                       |
| Renamed   | 02/25 | dr   | <b>30 47 48</b>       |
| Revised   | 10/22 | dr   |                       |
| Modifications   | Date  | Name | <b>knitter-switch</b> |
|   |       |      | Page<br>3/3           |