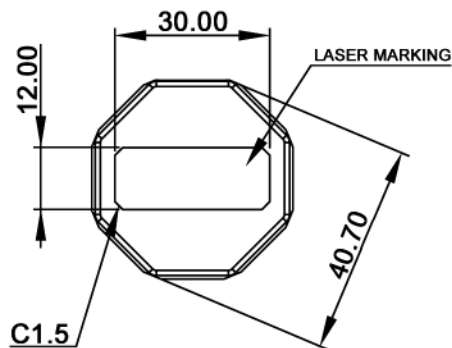
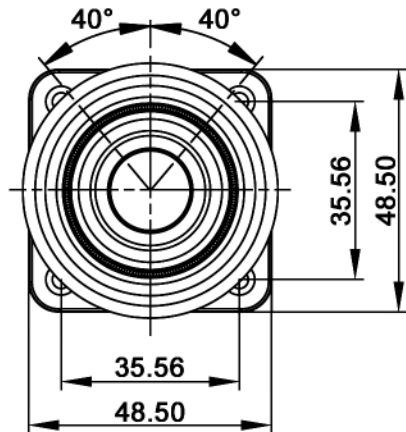
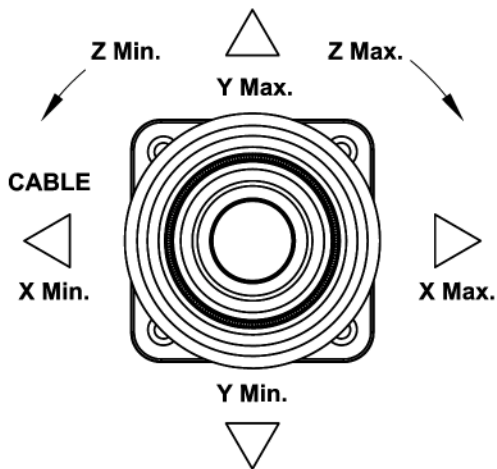
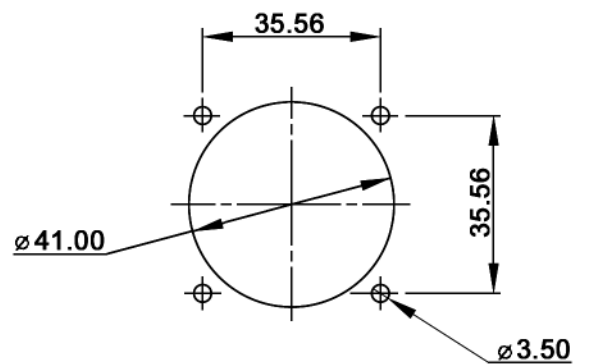


CONFIGURATIONS



PANEL MOUNTING



Compliance: RohS III (2015/863/EU)

Tolerances:		Date	Name
0.00: ±0.25 mm		06/21	dr
0.0: ±0.40 mm			
Renamed	02/25	dr	
Mech. & electrical life	10/22	dr	
Renamed	11/21	dr	
Modifications	Date	Name	

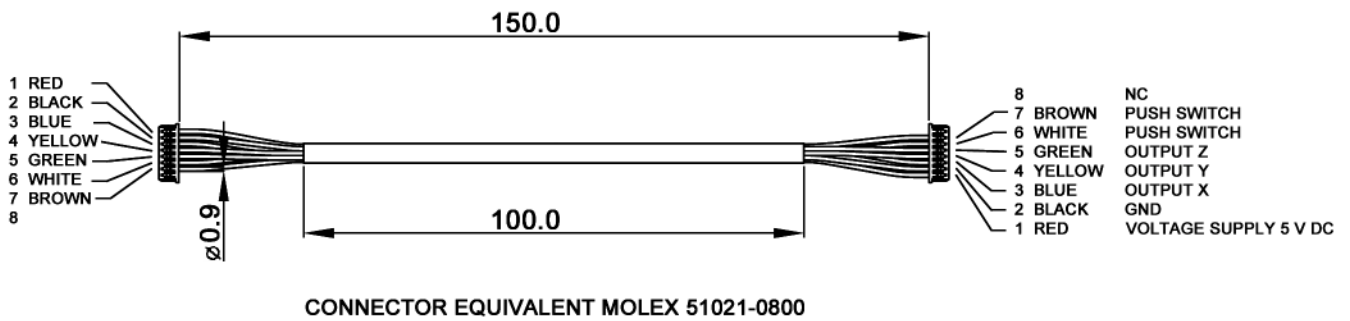
**JSH 03B**

**knitter-switch**

**30 46 56**

Page

1/3



**Specifications:**

Technology: Hall-effect  
 Power supply: 5 V DC +/-10%  
 Over-voltage: +20 V DC  
 Reverse voltage protection: -10 V DC  
 Output: 0....5 V DC  
 Output current (X/Y): 8 mA max.  
 Output current (Z): 12 mA max.  
 Output load: 10 kOhm  
 Central output voltage: 2.5 V DC +/-0.1 V  
 Non-linearity: < 3%  
 Operating temperature: -20°C to +65°C  
 Mech. & electrical life: 5 000 000 cycles (X, Y)  
 1 000 000 cycles (Z)

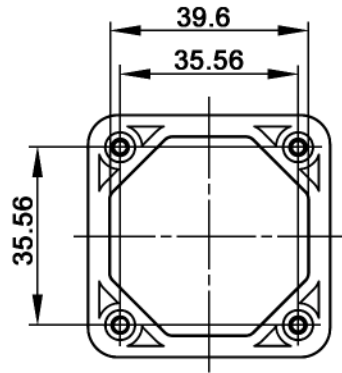
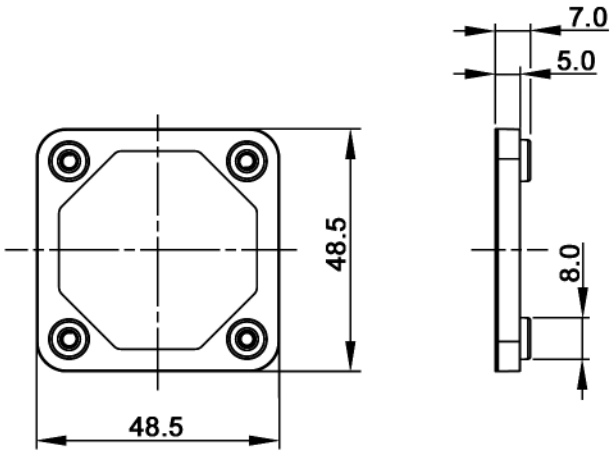
Mechanical specifications: Centering: Spring return  
 Operating force: 2.3....6 N  
 Max. load: 200 N

Compliance: RohS III (2015/863/EU)

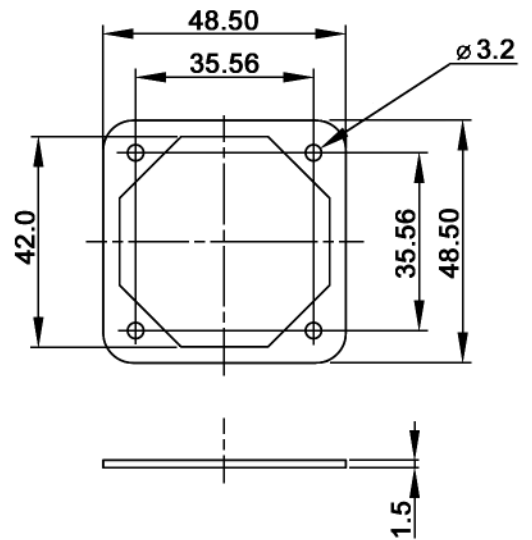
Tolerances: 0.00: ±0.25 mm 0.0: ±0.40 mm	Date	Name	<b>JSH 03B</b>		
	06/21	dr			
Renamed	02/25	dr	<b>30 46 56</b>	Page	
Mech. & electrical life	10/22	dr		<b>knitter-switch</b>	2/3
Renamed	11/21	dr			
Modifications	Date	Name			

**HARDWARE:**

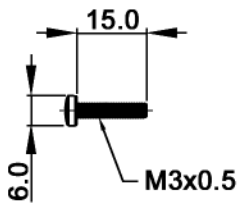
**MOUNTING PLATE**



**GASKET**



**CROSS-HEADED SCREW**



Compliance: RohS III (2015/863/EU)

Tolerances: 0.00: $\pm 0.25$ mm 0.0: $\pm 0.40$ mm	Date	Name	<h1>JSH 03B</h1>
	06/21	dr	
Renamed	02/25	dr	<h1>30 46 56</h1>
Mech. & electrical life	10/22	dr	
Renamed	11/21	dr	
Modifications	Date	Name	<h1>knitter-switch</h1>
			Page
			3/3