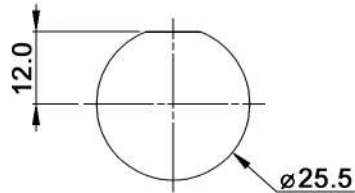


**MOUNTING HOLE  
DETAIL**

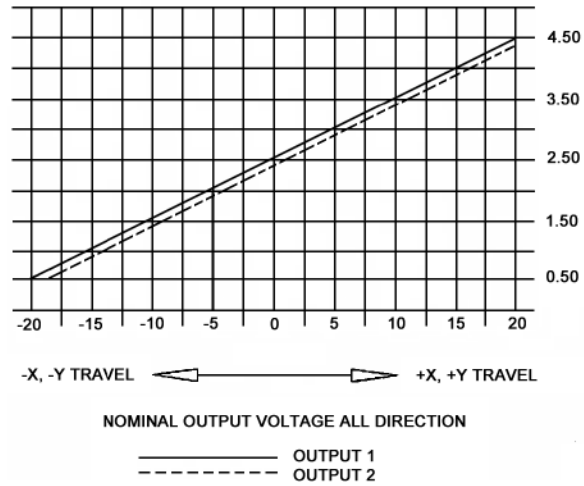


**Specifications:**

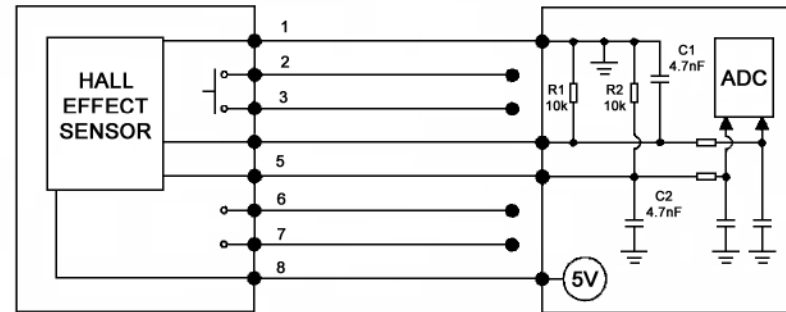
**Supply current:** 10 mA +/-10%  
**Supply voltage:** 5 V DC +/-10%  
**Out put current:** 8 mA +/-10%  
**Contact rating:** 10 mA max., 12 V DC  
**Insulation resistance:** 100 MOhm at 250 V DC  
**Dielectric strength:** 300 V AC for 1 minute  
**Operating temperature:** -40°C to +85°C  
**Mechanical life:** 1 000 000 min. cycles  
**Electrical life:** 1 000 000 min. cycles  
**Operating force:** 7 N max. +/-30%  
**Pull and push stroke of shaft:** 2 N.cm for 1 minute  
**Strength of end stop:** 2 N.cm for 1 minute  
**Travel:** 0.4-0.6 mm  
**Soldering conditions:** 280°C, 2sec. max.  
**Compliance:** RohS III (2015/863/EU)

|                          |      |       |      |                         |
|--------------------------|------|-------|------|-------------------------|
| Tolerances: ≤10: ±0.3 mm |      | Date  | Name | <b>JSH 25 P5S100CRC</b> |
| 10-100: ±0.5 mm          |      | 04/23 | dr   |                         |
|                          |      |       |      | <b>knitter-switch</b>   |
|                          |      |       |      |                         |
|                          |      |       |      | <b>30 50 83</b>         |
|                          |      |       |      |                         |
|                          |      |       |      | Page                    |
|                          |      |       |      | 1/2                     |
| Modifications            | Date | Name  |      |                         |

### JOYSTICK OUTPUT WAVEFORM



### SCHEMATIC



| Terminal | Function    | Cable color |
|----------|-------------|-------------|
| 1        | ground      | black       |
| 2        | push switch | orange      |
| 3        | push switch | orange      |
| 4        | output 1    | blue        |
| 5        | output 2    | yellow      |
| 6        | n.c.        | gray        |
| 7        | n.c.        | white       |
| 8        | power 5 V   | red         |

Compliance: RohS III (2015/863/EU)

|   |  |                       |      |                           |
|---|--|-----------------------|------|---------------------------|
| Tolerances: ≤10: ±0.3 mm<br>10-100: ±0.5 mm |  | Date                  | Name | <h1>JSH 25 P5S100CRC</h1> |
|   |  | 04/23                 | dr   |                           |
|   |  |                       |      |                           |
|   |  |                       |      |                           |
|   |  |                       |      |                           |
|   |  | <b>knitter-switch</b> |      | <b>30 50 83</b>           |
| Modifications                               |  | Date                  | Name | Page<br>2/2               |