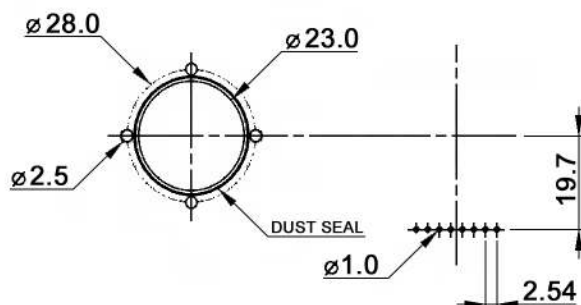


MOUNTING HOLE
DETAIL

P.C.B. HOLE
DETAIL



Specifications:

Technology: Hall-effect
 Power supply: 5 V DC +/-10%, 10 mA +/-10%
 Output: 0.5 to 4.5 V DC
 Output current: 8 mA max.
 Output load: 10 kOhm
 Operating temperature: -40°C to +85°C
 Mech. & electrical life: 1 000 000 operations min.
 Operating force: 7 N +/-30%
 Centering: Spring-return
 Switches: Rating: 10 mA, 12 V
 Insulation resistance: 100 MOhm min. at 250 V DC
 Dielectric strength: 300 Vrms (50 Hz) for 1 minute
 Travel: 0.5 mm +/-0.1

Compliance: RohS III (2015/863/EU)

Tolerances:	Date	Name
		10/22

JSH 32 P5S000PR

knitter-switch		
Modifications	Date	Name

30 48 85

